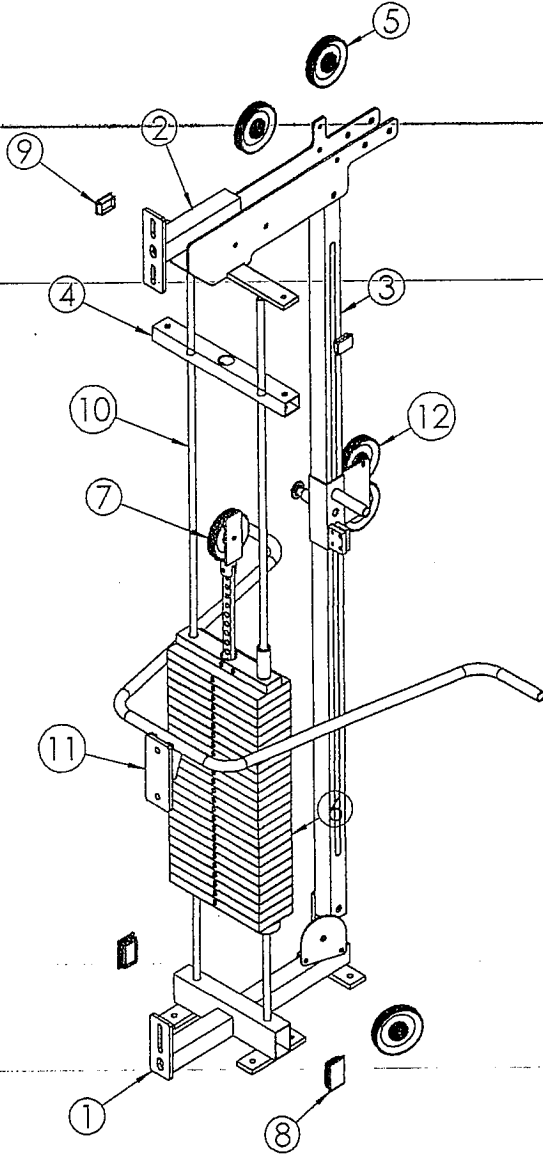


ITEM NO.	QTY.	PART NO.	DESCRIPTION
1	1	100-786	BOTTOM FRAME
2	1	100-787	TOP FRAME
3	1	339-731	2" x 2" TUBE - 79 1/2"
4	1	400-713	1 1/2" x 2" TUBE - 17"
5	3	853-303	4" CABLE PULLEY - 3/8" NARROW HOLE
6	1	Weight Stack	26 PLATE WEIGHT STACK
7	1	Center Stick	CENTER STICK
8	2	850-006	2" X 3" END CAP
9	2	850-010	1 1/2" X 2" END CAP
10	2	200-401	5/8" GUIDE ROD - 81 1/2"
11	1	100-785	HANDLE ASSEMBLY
12	1	Single Pulley	SINGLE PULLEY



This document contains information proprietary to Magnum Fitness Systems. It is submitted in confidence and is to be used solely for the purpose for which it is furnished. This document and such information is not to be reproduced, transmitted, or used in whole or part without written authorization.

TOLERANCES: +0.000"  
- 1/16"

**MAGNUM FITNESS SYSTEMS**

2201 12th. Avenue  
S. Milwaukee, WI, 53172

UNLESS OTHERWISE SPECIFIED  
DIMENSIONS ARE IN INCHES.

TITLE: C823 v 1.0 Assembly

DRAWN BY:  
J. Wenzel

DATE:  
07/02/04

PART NO.  
XXXXXXXXXX

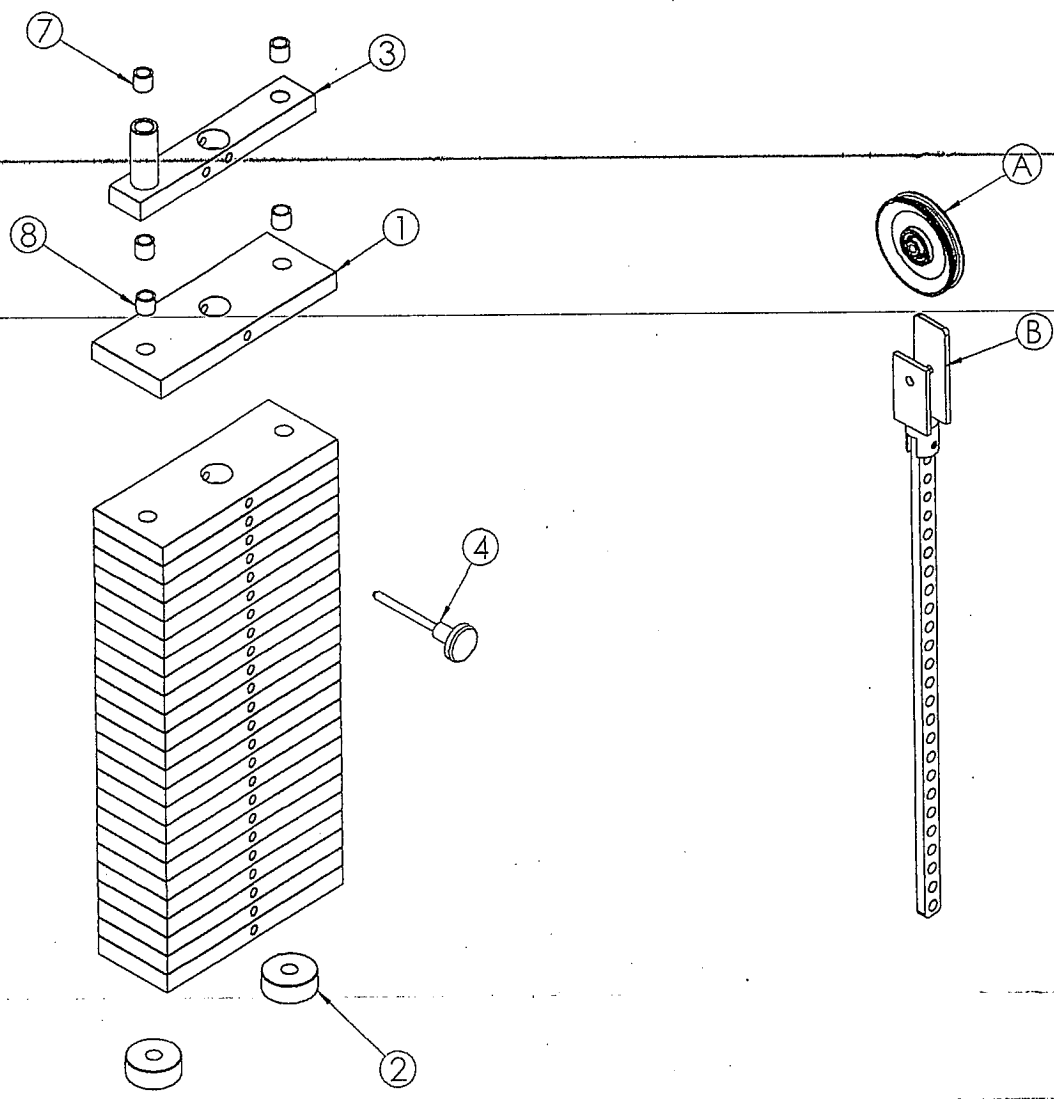
JOB NO.  
XXXXXXXXXX

REV:  
1

FILE LOCATION: C:\Cad Drawings\Solid Works\

1 OF 1

ITEM NO.	QTY.	PART NO.	DESCRIPTION
A	1	853-303	4" CABLE PULLEY - 3/8" NARROW HOLE
B	1	100-106	26 HOLE CENTER STICK
ITEM NO.	QTY.	PART NO.	DESCRIPTION
1	25	807-000	12 LB. STEEL WEIGHT PLATE
2	2	838-211	ROUND WEIGHT STACK BUMPER
3	1	100-539	TOP WEIGHT PLATE
4	1	852-007	SELECTOR PIN w/ 6 1/2" CORD
7	3	849-001	7/8"OD x 5/8"ID x 3/4" BUSHING
8	2	849-002	7/8"OD x .640"ID x 3/4" BUSHING



This document contains information proprietary to Magnum Fitness Systems. It is submitted in confidence and is to be used solely for the purpose for which it is furnished. This document and such information is not to be reproduced, transmitted, or used in whole or part without written authorization.

TOLERANCES: +0.000"  
- 1/16"

UNLESS OTHERWISE SPECIFIED DIMENSIONS ARE IN INCHES.

DRAWN BY:  
J. Wenzel

**MAGNUM FITNESS SYSTEMS**  
2201 12th. Avenue  
S. Milwaukee, WI, 53172

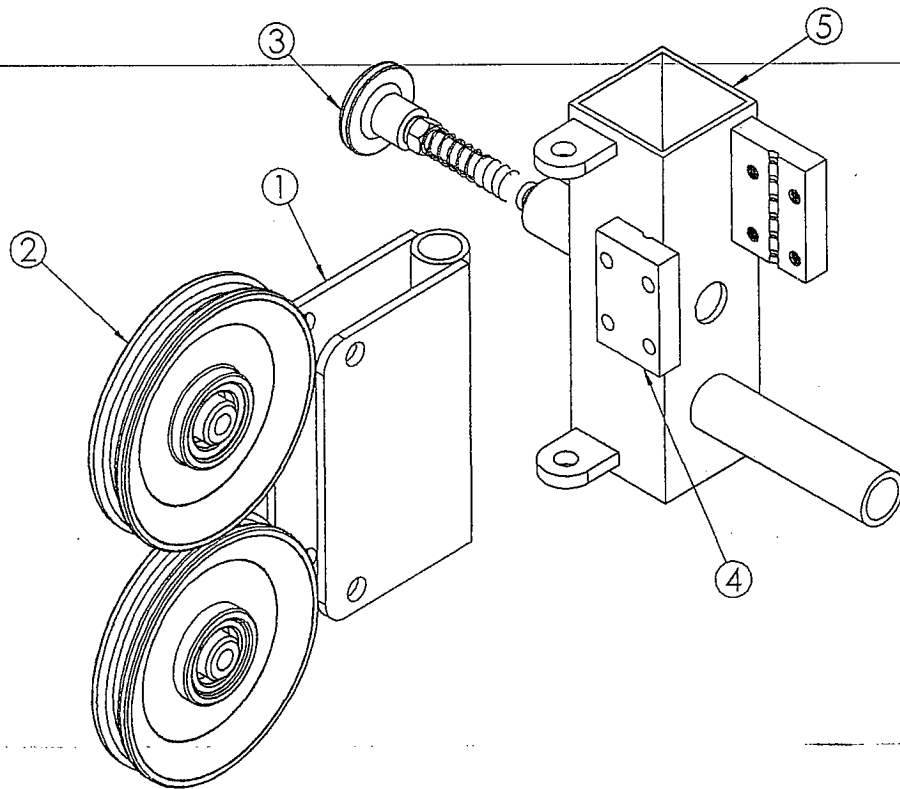
**TITLE: 26 Plate Weight Stack  
26 HOLE CENTER STICK**

DATE: 06/24/04	PART NO. XXX-XXX	JOB NO. XXXXXXXXX	REV: 1
-------------------	---------------------	----------------------	-----------

FILE LOCATION: C:\Cad Drawings\Solid Works\

1 OF 1

ITEM NO.	QTY.	PART NO.	DESCRIPTION
1	1	100-789	PULLEY HOUSING SWIVEL
2	2	853-303	4" CABLE PULLEY - 3/8" NARROW HOLE
3	1	640-002	SPRING PIN ASSEMBLY
4	1	339-714	1/2" x 1 1/2" F.S. - 2 1/4"
5	1	100-790	SINGLE PULLEY



This document contains information proprietary to Magnum Fitness Systems. It is submitted in confidence and is to be used solely for the purpose for which it is furnished. This document and such information is not to be reproduced, transmitted, or used in whole or part without written authorization.

TOLERANCES: +0.000"  
- 1/16"

UNLESS OTHERWISE SPECIFIED  
DIMENSIONS ARE IN INCHES.

DRAWN BY:  
J. Wenzel

**MAGNUM FITNESS SYSTEMS**

2201 12th. Avenue  
S. Milwaukee, WI, 53172

TITLE: Single Pulley Assembly

DATE:  
07/02/04

PART NO.  
XXXXXXXX

JOB NO.  
XXXXXXXX

REV:  
1

FILE LOCATION: C:\Cad Drawings\Solid Works\

1 OF 1